

Scenario Planning of Public Service System in Seaside Resorts and Recreational Areas

Svitlana Sheshukova

Chair of landscape architecture,
Kyiv National University of Construction and Architecture,
UKRAINE, Kyiv, Povitroflotsky avenue 31,
E-mail: sheshukova.knuba@gmail.com

Considered the issues of the relationship between planning, spatial, architectural, structural organization of the territory of the public service system in the seaside resorts and recreational areas and the process of obtaining services on the basis of scenario planning of the recreational activity.

Key words – scenario planning, scenario models, public service system, public facilities, coastal areas, seaside resorts.

I. Introduction

Planning structure of the public service system and its spatial forms have an individual character depending on the size of the resort and recreational area, the core areas of development (medical treatment, tourism, tours, youth recreation), an urban situation, environmental conditions etc. It is defined by the nature of the use of natural-territorial conditions, functional organization and associated with the site development, green space system, transport network and pedestrian pathways [1].

II. Public Service Systems

Analysis of planning of the seaside resorts and recreation areas indicates that currently remains negative trend of continuous urbanization of the coastal zone, there is no comprehensive approach to the organization of construction, to the scenario planning of public service objects.

In this regard, when solving the problems of formation of the planning structure of public service systems must take into account not only the conditions of their accommodation directly into the urban fabric of resort and recreational areas, the availability of local reserves, and also to forecast the activity of future tourists.

Based on the above conditions and factors of modern world trends of the service sector in the seaside resort and recreational areas and proposed principles of forming public service systems [2], which can be applied in different environmental conditions and for different urban situations there are three main scenarios of public service.

III. Scenario Planning and Public Service Objects

A particular issue of the development of various options of public service system is the issue of scenario planning, that is an effective organization of public services as well as aesthetic solutions of the services environment. Scenario planning is an integral part of resort and recreational area, because the richness of scenarios has a direct impact on the quality of recreation,

psycho-emotional state of tourists, a quantitative assessment of the impressions gained during the holidays and vacations. According to the proposed public service systems, scenario models of recreation processes are developed:

1. *Free scenario* of resort and recreational process is very flexible and has free character, achieved multiple access to service facilities, has extensive network of pedestrian and transport pathways with the possibility of direct including facilities to landscape environment (fig.1).

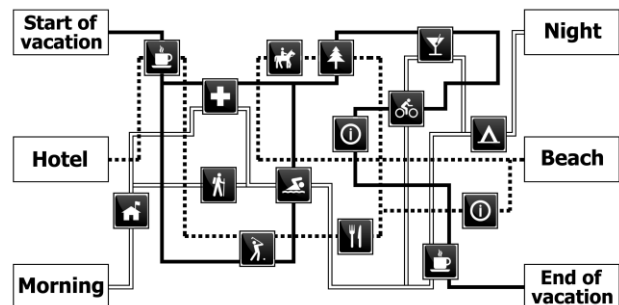


Fig. 1. Free scenario

This scenario represents formation of a holistic environment of public service facilities that involves the organization of a single open space to accommodate the network service objects within. It is a system where the structural elements act as single stand-alone fragments - scattered or grouped service objects. In other words, it is an open area (green area, park), which provides the connection between accommodation and the coastal zone - the main route of tourists.

The main compositional task in constructing of such a system is the necessity to show the identity of visually isolated individual objects to common system. among the major spatial and compositional techniques of this system is the creation of a system of reference points and emphasizing the structural elements. Assumes the maximal inclusion of service objects on the landscaped recreational area, where the objects interact with green area as a whole.

2. *Directed scenario* of resort and recreational process is programmed and more rigid, while receiving services there are limited number of routes, a network of pedestrian connections to service facilities is poorly developed (fig.2).

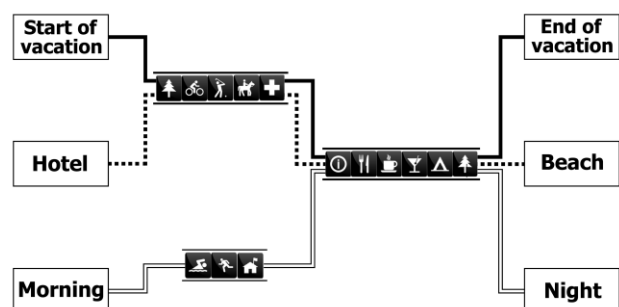


Fig. 2. Directed scenario

This scenario represents formation of the communication corridors of public service facilities that provides the organization of solid spatial elongated structures along the traffic route (avenues, waterfronts, streets). This principle is formed according to the laws of the linear system, where elongated spatial structure combines a number of different functions. The most distinctive accommodation options of the communication corridors are parallel or perpendicular development towards the coast.

Formation of communication corridors is appropriate in the presence of specific environmental conditions or to a more rational land use by building pedestrian arteries serving or hosting service objects service in the first floor already existing streets. The development of such systems is possible in favorable urban planning situation for the future continuation of the maintenance corridor or by building additional functions and services to existing facilities.

3. *Mixed scenario* of resort and recreational process has sufficiently flexible nature, the network routes are developed. Consequently, we achieve an effective combination of complex services and variance scenario processes (fig.3).

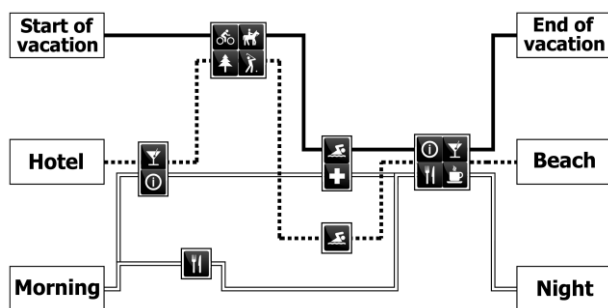


Fig. 3. Mixed scenario

This scenario represents formation of the core and network structure of public service facilities that involves the grouping of objects of public service by certain characteristics in multifunctional centers, and creation on their basis of a network of centers of public service. The system is built on the principle of polycentric systems, where each structural element (service center) is an independent kernel in its functional unit, but subordinate to general network. The centres themselves are core elements of the system, and provide composite kernel.

Core and network system of public service should be implemented in the coastal resorts and recreation areas and coastal settlements with a large number of permanent and temporary population or when there are detached land plots for the formation of centers. Further development of such systems is possible in the presence of free plots, sufficient for the formation of public centers and areas around them.

When placing the structural elements in the public service systems of resort and recreational areas should be completed requirements for ease of daily use in terms of both visitors and transportation service. It also must be taken into account the sanitarian characteristics of the site, expenditure on accommodation building, depending on topography, geology and other properties, attendance of facilities and the most probable routes of visitors [1].

In addition to planning features of the resort and recreational areas is necessary to consider the peculiarities of planning organization of the public service systems in connection with the solution of the phenomenon as a "recreational pulsation" on weekends.

Each of the principles of public service systems can be applied in resort and recreation areas, both independently and in conjunction with others, depending on the specific urban conditions, anticipated features of operations and to resolve specific tasks of planning, architecture and landscape design.

Conclusion

Architectural and planning environment of public service systems in seaside resorts and recreation areas can generate a variety scenarios of activity tourists, thereby creating their impressions of the resort area and of the vacation.

References

- [1] L.G. Bal'jan, Ed., Rekomendacii po formirovaniju obshhestvennykh centrov kurortov [Recommendations for the creation of resort public centers]. KievNIIP gradostroitel'stva. Moskva: Strojizdat, 1985, 64 p.
- [2] S.V. Sheshukova. Pryntsyipy formuvannia system hromadskoho obsluhovuvannia v prymorskykh kurortno-rekreatsiinykh zonakh [Principles of forming public service systems in seaside resorts and recreational areas]. Dysertatsiia. Kyivskiy natsionalnyi universytet budivnytstva i arkhitektury. Kyiv, 2011.